

etap[®]

PSMS[™]

Power Management System

ETAP Power System Monitoring & Simulation (PSMS[™]) is at the heart of the ETAP Real-Time power management system. Power management system software is the smart choice for both small and large electrical utility systems, generation plants, industrial sites, manufacturing facilities, and off-shore oil platforms.



A powerful solution to predict system behavior, anticipate outcomes, play back events, and recommend alternative actions based on a real-time digital twin.

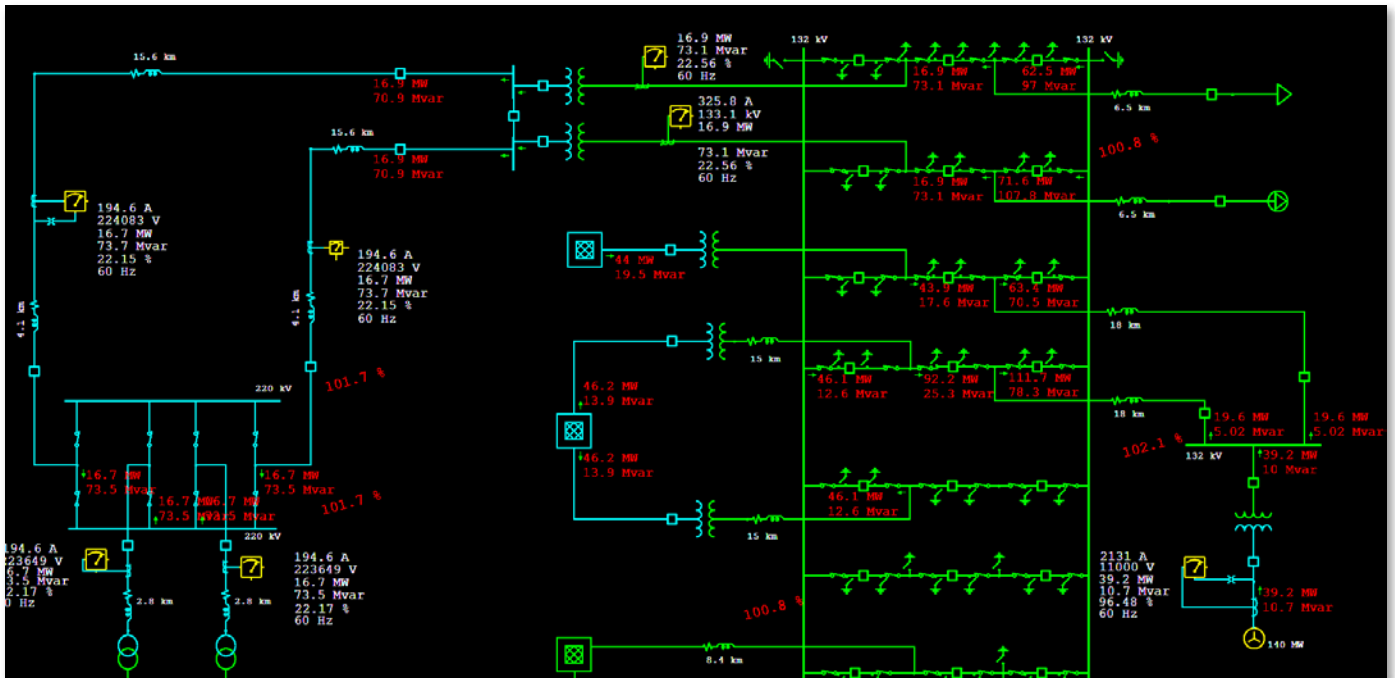
- ✓ Accurate analysis with actual operating values
- ✓ Improve system planning & design
- ✓ Recognize & correct potential hidden problems
- ✓ Prevent system interruption
- ✓ Determine under-utilization of system resources
- ✓ Identify causes of operational problems
- ✓ Explore alternative actions & ‘what if’ scenarios
- ✓ Validate system settings

Predictive Simulation

Predictive analysis modules for evaluating actual system response to operator actions, simulation of ‘what if’ scenarios, and anticipation of outcomes using real-time and archived data.

Event Playback

Conduct root-cause analysis and effect investigations, replay scenarios to determine potential improvements to system operations, and explore alternative actions.



Predict system behavior & prevent inadvertent outages